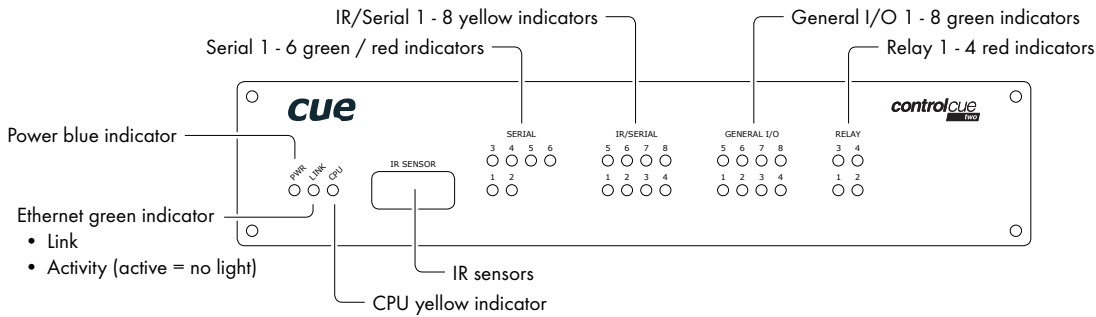
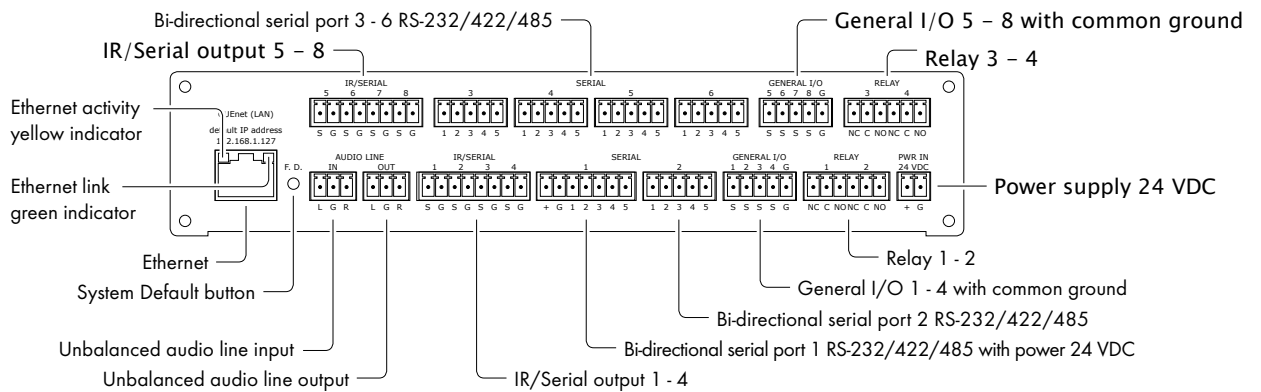


Front Panel



Rear Panel



Connector Pinouts

AUDIO LINE IN

| Pin | Description |
|-----|---------------------|
| L | Left channel input |
| G | Ground |
| R | Right channel input |

AUDIO LINE OUT

| Pin | Description |
|-----|----------------------|
| L | Left channel output |
| G | Ground |
| R | Right channel output |

IR/SERIAL 1 - 4

| Pin | Description |
|-----|----------------------|
| 1 S | IR/Serial 1 - signal |
| 1 G | Ground |
| 2 S | IR/Serial 2 - signal |
| 2 G | Ground |
| 3 S | IR/Serial 3 - signal |
| 3 G | Ground |
| 4 S | IR/Serial 4 - signal |
| 4 G | Ground |

IR/SERIAL 5 - 6

| Pin | Description |
|-----|----------------------|
| 5 S | IR/Serial 5 - signal |
| 5 G | Ground |
| 6 S | IR/Serial 6 - signal |
| 6 G | Ground |
| 7 S | IR/Serial 7 - signal |
| 7 G | Ground |
| 8 S | IR/Serial 8 - signal |
| 8 G | Ground |

SERIAL 1

| Pin | RS-232 | RS-422 | RS-485 |
|-----|----------------|--------|--------|
| + | Output +24 VDC | | |
| G | Ground | | |
| 1 | TxD | Tx A+ | A+ |
| 2 | RTS | Tx B- | B- |
| 3 | Ground | Ground | Ground |
| 4 | RxD | Rx A+ | N.C. |
| 5 | CTS | Rx B- | N.C. |

SERIAL 2 - 6

| Pin | RS-232 | RS-422 | RS-485 |
|-----|--------|--------|--------|
| 1 | TxD | Tx A+ | A+ |
| 2 | RTS | Tx B- | B- |
| 3 | Ground | Ground | Ground |
| 4 | RxD | Rx A+ | N.C. |
| 5 | CTS | Rx B- | N.C. |

GENERAL I/O 1 - 4

| Pin | Description |
|-----|----------------|
| 1 S | I/O 1 - signal |
| 2 S | I/O 2 - signal |
| 3 S | I/O 3 - signal |
| 4 S | I/O 4 - signal |
| G | Common ground |

GENERAL I/O 5 - 8

| Pin | Description |
|-----|----------------|
| 5 S | I/O 5 - signal |
| 6 S | I/O 6 - signal |
| 7 S | I/O 7 - signal |
| 8 S | I/O 8 - signal |
| G | Common ground |

RELAY 1 - 2

| Pin | Description |
|------|------------------------|
| 1 NC | Relay 1 - normal close |
| 1 C | Relay 1 - common |
| 1 NO | Relay 1 - normal open |
| 2 NC | Relay 2 - normal close |
| 2 C | Relay 2 - common |
| 2 NO | Relay 2 - normal open |

RELAY 3 - 4

| Pin | Description |
|------|------------------------|
| 3 NC | Relay 3 - normal close |
| 3 C | Relay 3 - common |
| 3 NO | Relay 3 - normal open |
| 4 NC | Relay 4 - normal close |
| 4 C | Relay 4 - common |
| 4 NO | Relay 4 - normal open |

PWR IN

| Pin | Description |
|-----|---------------|
| + | Power +24 VDC |
| G | Ground |

System Default Setup

When System Default button is pressed longer than 5 sec., the system default function is performed and setup is as follows

- IP address: from DHCP (192.168.1.127 without DHCP)
- IP Mask: from DHCP (255.255.255.0 without DHCP)
- Password: Empty (no input required)

User Manual

Complete user manual can be downloaded here:

http://www.cuesystem.com/user_manuels.aspx